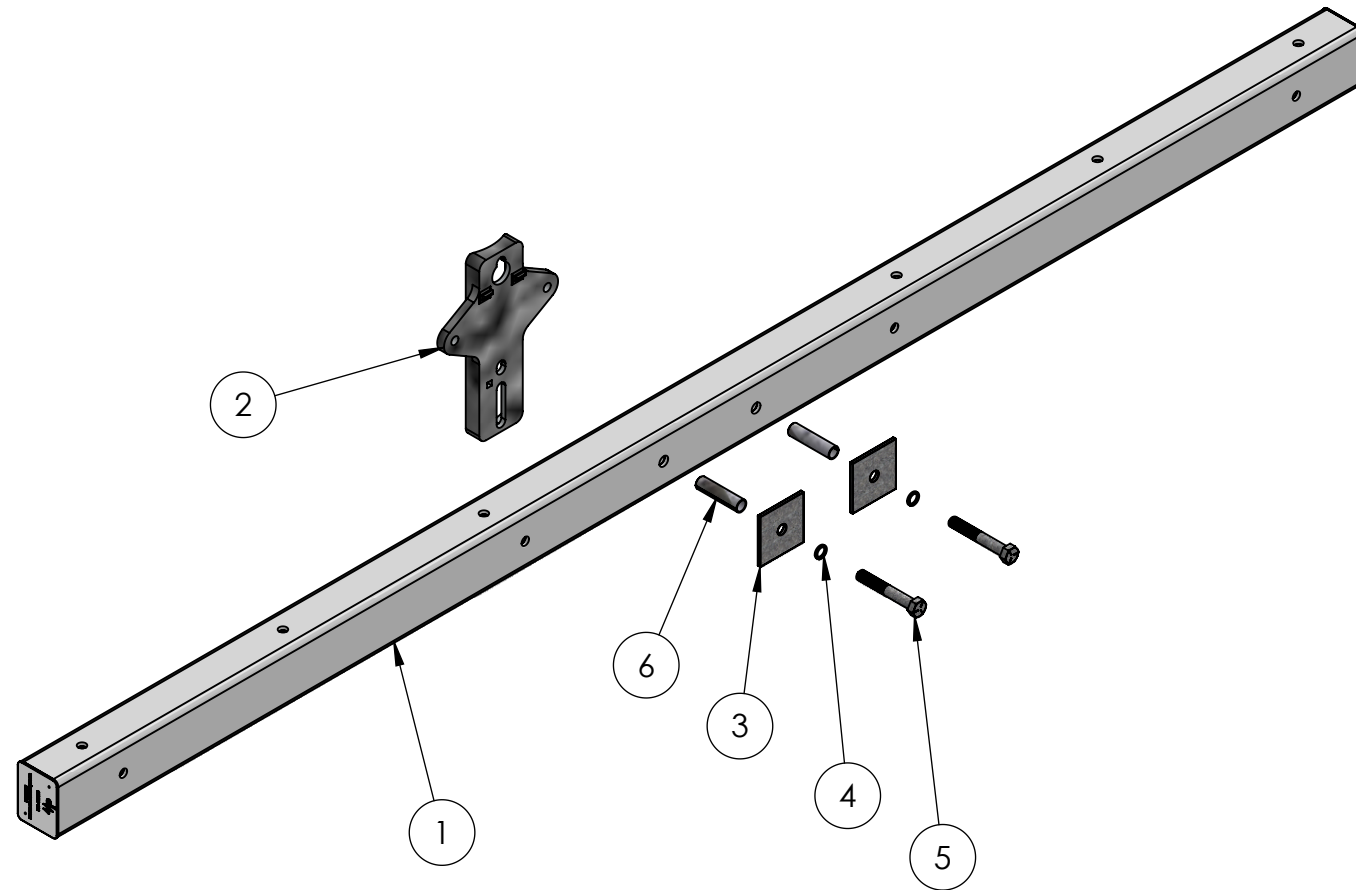



ITEM NO.	PART NUMBER	DESCRIPTION	QTY.
1	P90010W	PW FOAMED TUBE	1
2	P61342	HEAVY DUTY TANGENT BASE DRILLED & TAPPED	1
3	P68244	4" x 4" SQUARE WASHER W/ ϕ 13/16" HOLE	2
4	F338983	3/4" LOCKWASHER	2
5	P55909	3/4" - 10 x 5" GRADE 5 HEX HEAD BOLT	2
6	P23050	3/4" ID x 3 3/4" LONG SPACER TUBES	2

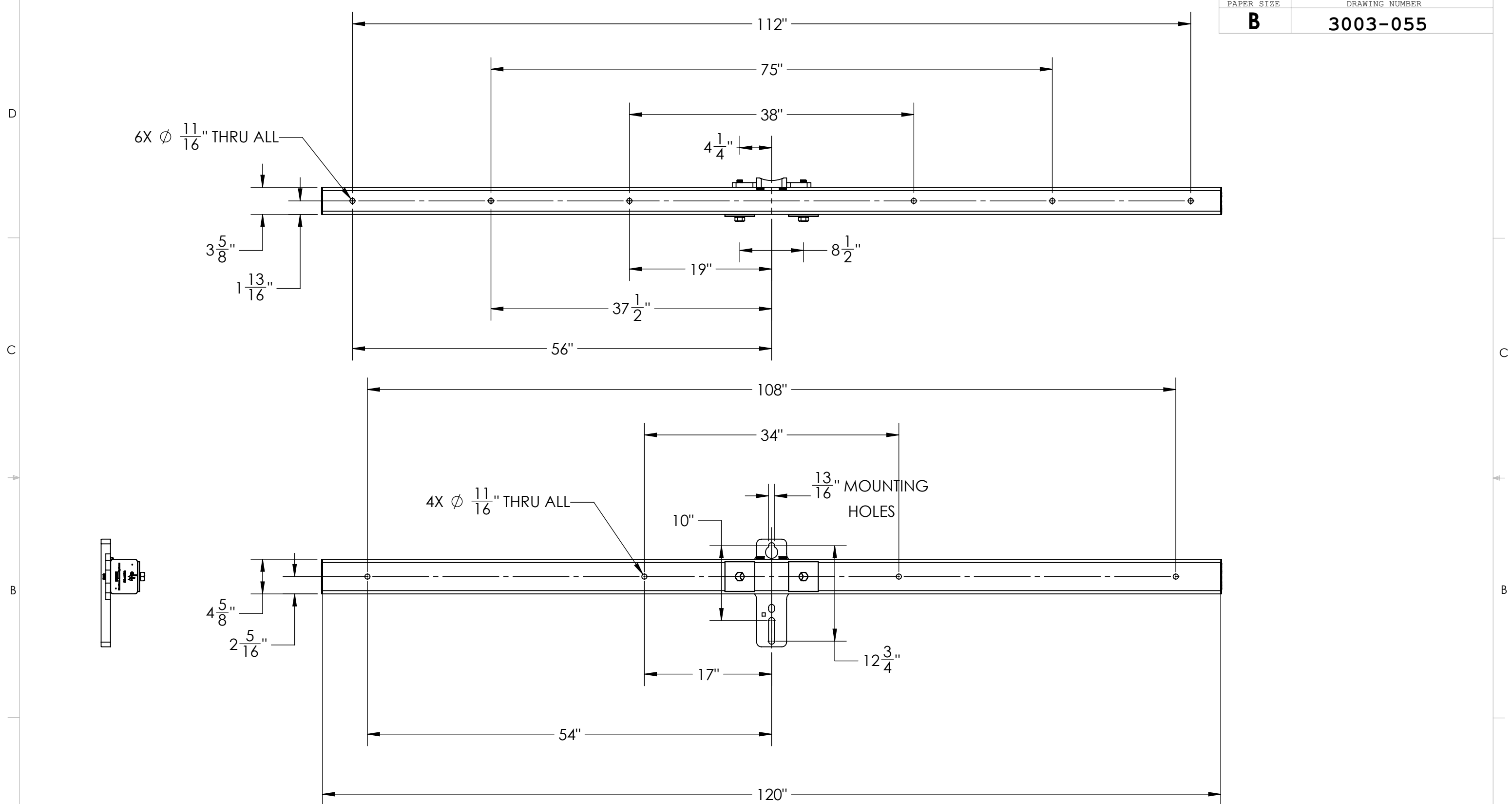
PAPER SIZE		DRAWING NUMBER	
B		3003-055	
REVISIONS			
REV.	ECO BY	ECO DATE	ECO NUMBER
A	MHK	06/25/14	01066



THIS DRAWING CONTAINS CONFIDENTIAL INFORMATION THAT IS THE PROPERTY OF MACLEAN POWER, L.L.C. ("MACLEAN"). USE OF MACLEAN'S CONFIDENTIAL INFORMATION WITHOUT MACLEAN'S EXPRESS WRITTEN CONSENT IS STRICTLY PROHIBITED AND MAY EXPOSE YOU TO LEGAL LIABILITY. IF YOU BELIEVE THAT YOU RECEIVED THIS MATERIAL IN ERROR, PLEASE DESTROY IT OR RETURN IT TO "MACLEAN POWER, L.L.C., 7801 PARK PLACE RD., YORK, SOUTH CAROLINA 29745, USA."

CATALOG NUMBER: PW10ST005		CUSTOMER NUMBER:		PART NUMBER: N/A		DRAWING NUMBER: 3003-055		DO NOT SCALE DRAWING	
PHYSICAL PROPERTIES				UNLESS OTHERWISE SPECIFIED DIMENSIONS ARE IN: INCHES		SHEET: 1 OF 2		CAD GENERATED DRAWING DO NOT MANUALLY UPDATE	
				TOLERANCES ARE:		DRAWING DESCRIPTION: PW TANGENT CROSSARM		DESIGN DATE: 06/25/14	
MATERIAL: FIBERGLASS		.XX +/- .03		 MACLEAN POWER SYSTEMS 7801 PARK PLACE RD. YORK, SC. 29745 TEL. (803) 628-2100 FAX: (803) 628-2139		DRAWN BY: MHK		ENGINEER: mkadel	
APPROX. WEIGHT : 48 LBS		.XXX +/- .015				APPROVED: 06/26/14			
VOLUME: IN3		X/XX +/- 1/32				PRODUCT LINE: CROSSARMS			
		ANGLES +/- 1°				SCALE: 1:12.5			

PAPER SIZE	DRAWING NUMBER
B	3003-055



THIS DRAWING CONTAINS CONFIDENTIAL INFORMATION THAT IS THE PROPERTY OF MACLEAN POWER, L.L.C. ("MACLEAN"). USE OF MACLEAN'S CONFIDENTIAL INFORMATION WITHOUT MACLEAN'S EXPRESS WRITTEN CONSENT IS STRICTLY PROHIBITED AND MAY EXPOSE YOU TO LEGAL LIABILITY. IF YOU BELIEVE THAT YOU RECEIVED THIS MATERIAL IN ERROR, PLEASE DESTROY IT OR RETURN IT TO "MACLEAN POWER, L.L.C., 7801 PARK PLACE RD., YORK, SOUTH CAROLINA 29745, USA."

CATALOG NUMBER: PW10ST005	CUSTOMER NUMBER:	PART NUMBER: N/A	DRAWING NUMBER: 3003-055	DO NOT SCALE DRAWING
PHYSICAL PROPERTIES UNLESS OTHERWISE SPECIFIED DIMENSIONS ARE IN: INCHES TOLERANCES ARE: .XX +/- .03 .XXX +/- .015 X/XX +/- 1/32 ANGLES +/- 1°			SHEET: 2 OF 2	CAD GENERATED DRAWING DO NOT MANUALLY UPDATE
			DRAWING DESCRIPTION: PW TANGENT CROSSARM	DESIGN DATE: 06/25/14
MATERIAL: FIBERGLASS	APPROX. WEIGHT: 48 LBS	VOLUME: IN3	PRODUCT LINE: CROSSARMS	DRAWN BY: MHK
			SCALE: 1:12.5	ENGINEER: mkadel
				APPROVED: 06/26/14



7801 PARK PLACE RD.
YORK, SC. 29745
TEL. (803) 628-2100 FAX: (803) 628-2139